

# PHILIPPGROUP

## Cast-in anchor channels and mounting technology



VB3-B-002-en - 07/21 - PDF



Product overview

## Transport and mounting systems for prefabricated building

### ■ Technical department

Our staff will be pleased to support your planning phase with suggestions for the installation and use of our transport and mounting systems for precast concrete construction.

### ■ Special designs

Customized to your particular needs.

### ■ Practical tests on site

We ensure that our concepts are tailored precisely to your requirements.

### ■ Inspection reports

For documentation purposes and your safety.

### ■ On-site service

Our engineers will be pleased to instruct your technicians and production personnel at your plant, to advise on the installation of precast concrete parts and to assist you in the optimisation of your production processes.

### ■ High safety level when using our products

Close cooperation with federal materials testing institutes (MTIs), and official approvals for the use of our products and solutions whenever necessary.

### ■ Software solutions

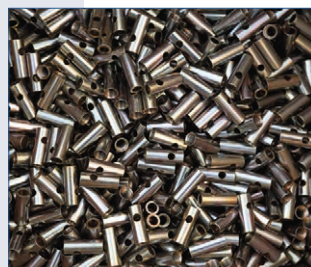
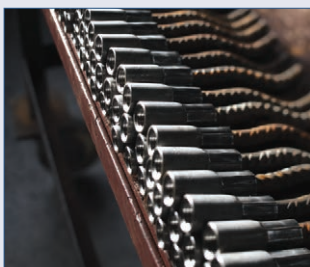
The latest design software, animated videos and CAD libraries can always be found under [www.philipp-gruppe.de](http://www.philipp-gruppe.de).

### ■ Engineering contact

Phone: +49 6021 40 27-318  
Fax: +49 6021 40 27-340  
E-mail: [technik@philipp-gruppe.de](mailto:technik@philipp-gruppe.de)

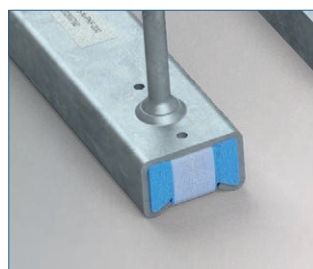
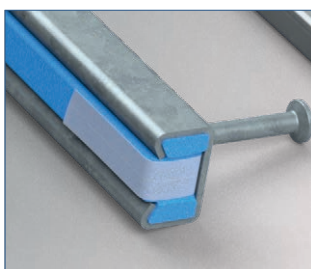
### ■ Sales contact

Phone: +49 6021 40 27-300  
Fax: +49 6021 40 27-340  
E-mail: [vertrieb@philipp-gruppe.de](mailto:vertrieb@philipp-gruppe.de)



**Content**

- Cast-in anchor channel ..... Page 4
  - Overview ..... Page 4
  - Cast-in anchor channel cold-formed with studs ..... Page 6
  - Cast-in anchor channel for precast beams ..... Page 10
  - Cast-in anchor channel hot-rolled with studs ..... Page 11
  - Cast-in anchor channel (P) hot-rolled with studs ..... Page 14
  - Magnetic fastener for anchor channels ..... Page 14
- Hammer-head T-bolts / hook-head T-bolts ..... Page 16
- Connecting straps ..... Page 18
- Brick tie channel system ..... Page 19
- Trapezoidal sheet metal channel ..... Page 19
- Cable holder system ..... Page 20
- Mounting channel ..... Page 22
- Clamping plate ..... Page 22





# Cast-in anchor channels and mounting technology

## Overview cast-in anchor channels

### Material and version

- ☑ hot-dip galvanized
- ☑ stainless steel A4 / SS316
- ☑ with elastic foam
- ☑ with integrated trigger line



### Cast-in anchor channels cold-formed with studs

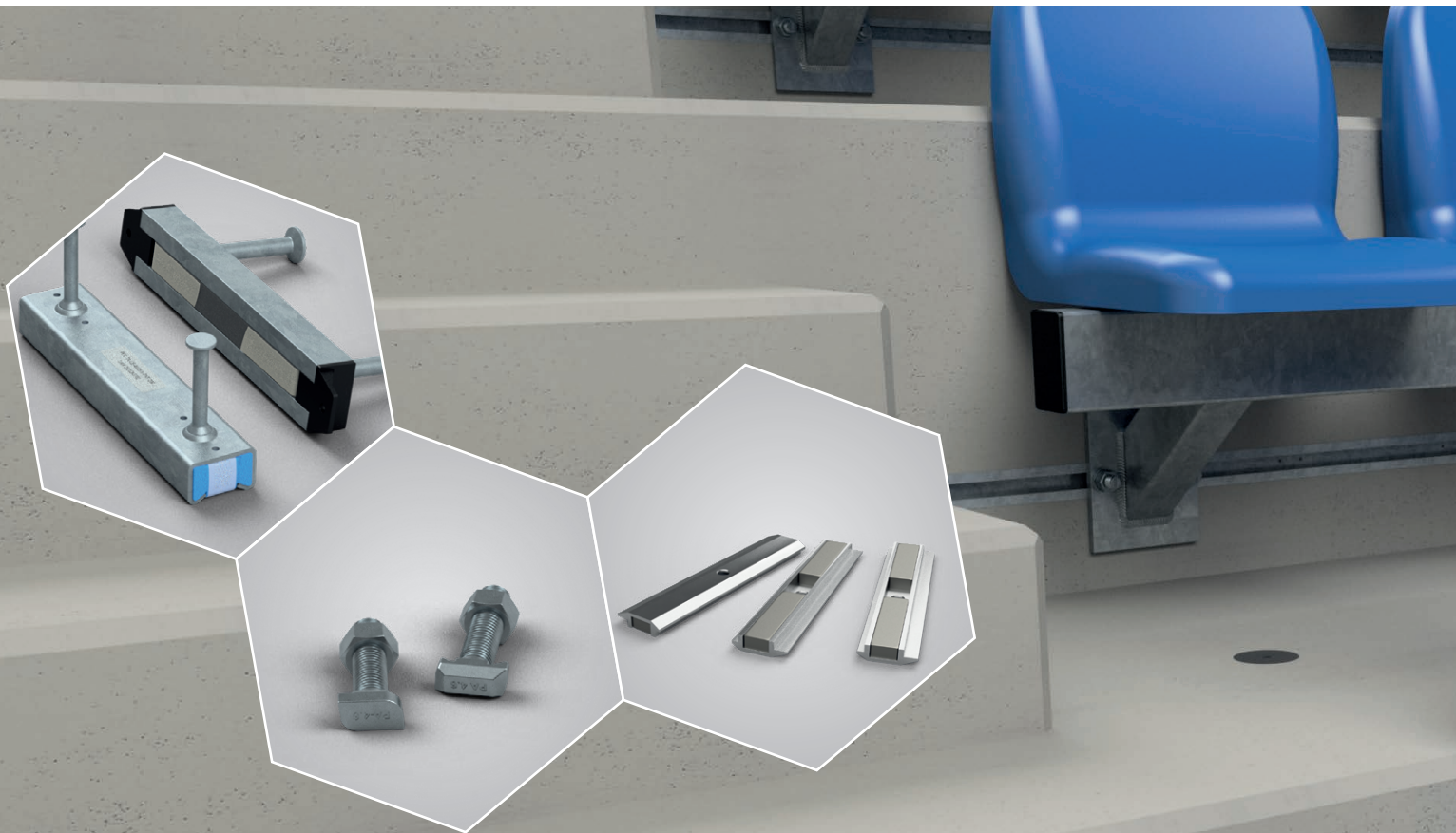
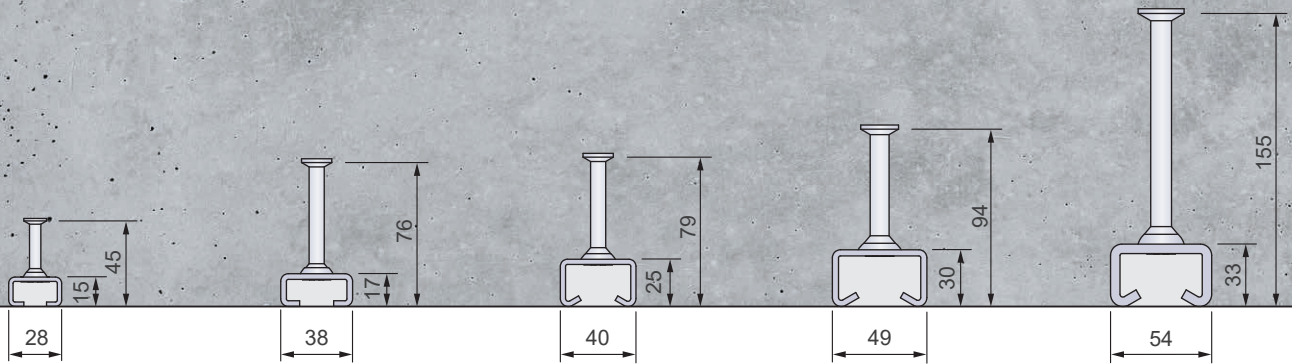
Type  
28/15

Type  
38/17

Type  
40/25

Type  
49/30

Type  
54/33





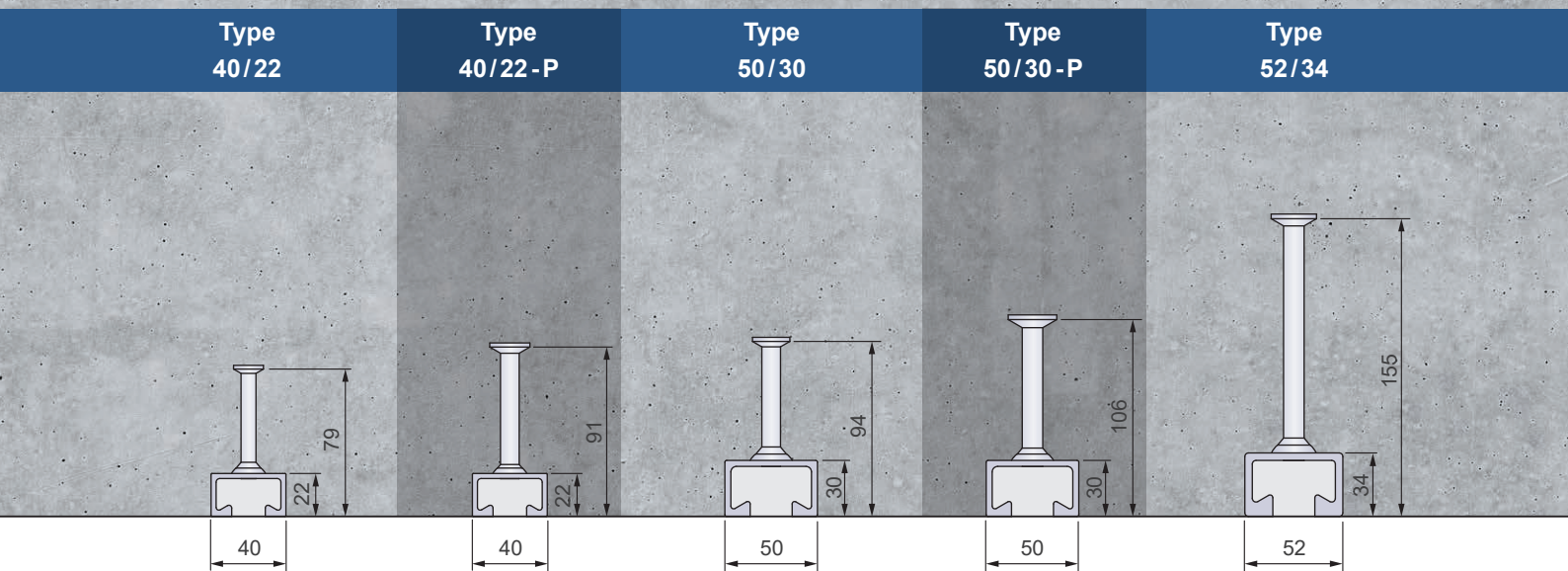
## Overview cast-in anchor channels

### Material and version

- ☑ hot-dip galvanized
- ☑ stainless steel A4 / SS316
- ☑ with elastic foam
- ☑ with locking cap on both sides
- ☑ with integrated trigger line



### Cast-in anchor channel hot-rolled with studs



## Cast-in anchor channel cold-formed with studs

### Version: cold-formed, hot-dip galvanized

Type	Length [mm]	Number of anchors [pcs.]	Ref. no.
28/15	100	2	8228150100FV
28/15	150	2	8228150150FV
28/15	200	2	8228150200FV
28/15	250	2	8228150250FV
28/15	300	2	8228150300FV
28/15	350	3	8228150350FV
28/15	450	3	8228150450FV
28/15	550	4	8228150550FV
28/15	850	5	8228150850FV
28/15	1,050	6	8228151050FV
28/15	3,050	16	8228153050FV
28/15	6,070	31	8228156070FV

- with elastic foam and integrated trigger line
- special lengths available on request

### Cast-in anchor channel 28/15



### Version: cold-formed, stainless steel A4 / SS316

Type	Length [mm]	Number of anchors [pcs.]	Ref. no.
28/15	100	2	8228150100VA
28/15	150	2	8228150150VA
28/15	200	2	8228150200VA
28/15	250	2	8228150250VA
28/15	300	2	8228150300VA
28/15	350	3	8228150350VA
28/15	450	3	8228150450VA
28/15	550	4	8228150550VA
28/15	850	5	8228150850VA
28/15	1,050	6	8228151050VA
28/15	3,050	16	8228153050VA
28/15	6,070	31	8228156070VA

- with elastic foam and integrated trigger line
- special lengths available on request.

### Cast-in anchor channel 28/15



**Cast-in anchor channel cold-formed with studs**

Version: cold-formed, hot-dip galvanized			
Type	Length [mm]	Number of anchors [pcs.]	Ref. no.
38/17	100 ①	2	8238170100FV
38/17	150	2	8238170150FV
38/17	200	2	8238170200FV
38/17	250	2	8238170250FV
38/17	300	3	8238170300FV
38/17	350	3	8238170350FV
38/17	450	3	8238170450FV
38/17	550	4	8238170550FV
38/17	850	5	8238170850FV
38/17	1,050	6	8238171050FV
38/17	3,050	16	8238173050FV
38/17	6,070	31	8238176070FV

① Length not covered by ETA  
 - with elastic foam and integrated trigger line  
 - special lengths available on request.

Version: cold-formed, stainless steel A4 / SS316			
Type	Length [mm]	Number of anchors [pcs.]	Ref. no.
38/17	100 ①	2	8238170100VA
38/17	150	2	8238170150VA
38/17	200	2	8238170200VA
38/17	250	2	8238170250VA
38/17	300	3	8238170300VA
38/17	350	3	8238170350VA
38/17	450	3	8238170450VA
38/17	550	4	8238170550VA
38/17	850	5	8238170850VA
38/17	1,050	6	8238171050VA
38/17	3,050	16	8238173050VA
38/17	6,070	31	8238176070VA

① Length not covered by ETA  
 - with elastic foam and integrated trigger line  
 - special lengths available on request.



## Cast-in anchor channel cold-formed with studs

Version: cold-formed, hot-dip galvanized			
Type	Length [mm]	Number of anchors [pcs.]	Ref. no.
40/25	150	2	8240250150FV
40/25	200	2	8240250200FV
40/25	250	2	8240250250FV
40/25	300	2	8240250300FV
40/25	350	3	8240250350FV
40/25	400	3	8240250400FV
40/25	550	3	8240250550FV
40/25	800	4	8240250800FV
40/25	1,050	5	8240251050FV
40/25	3,050	13	8240253050FV
40/25	6,070	25	8240256070FV

- with elastic foam and integrated trigger line
- special lengths available on request.



Version: cold-formed, stainless steel A4 / SS316			
Type	Length [mm]	Number of anchors [pcs.]	Ref. no.
40/25	150	2	8240250150VA
40/25	200	2	8240250200VA
40/25	250	2	8240250250VA
40/25	300	2	8240250300VA
40/25	350	3	8240250350VA
40/25	400	3	8240250400VA
40/25	550	3	8240250550VA
40/25	800	4	8240250800VA
40/25	1,050	5	8240251050VA
40/25	3,050	13	8240253050VA
40/25	6,070	25	8240256070VA

- with elastic foam and integrated trigger line
- special lengths available on request.





Cast-in anchor channel cold-formed with studs

Version: cold-formed, hot-dip galvanized

Type	Length [mm]	Number of anchors [pcs.]	Ref. no.
49/30	150	2	8249300150FV
49/30	200	2	8249300200FV
49/30	250	2	8249300250FV
49/30	300	2	8249300300FV
49/30	350	3	8249300350FV
49/30	400	3	8249300400FV
49/30	550	3	8249300550FV
49/30	800	4	8249300800FV
49/30	1,050	5	8249301050FV
49/30	3,050	13	8249303050FV
49/30	6,070	25	8249306070FV

- with elastic foam and integrated trigger line
- special lengths available on request.

Cast-in anchor channel 49/30

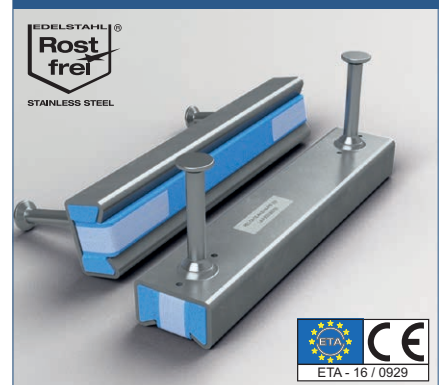


Version: cold-formed, stainless steel A4 / SS316

Type	Length [mm]	Number of anchors [pcs.]	Ref. no.
49/30	150	2	8249300150VA
49/30	200	2	8249300200VA
49/30	250	2	8249300250VA
49/30	300	2	8249300300VA
49/30	350	3	8249300350VA
49/30	400	3	8249300400VA
49/30	550	3	8249300550VA
49/30	800	4	8249300800VA
49/30	1,050	5	8249301050VA
49/30	3,050	13	8249303050VA
49/30	6,070	25	8249306070VA

- with elastic foam and integrated trigger line
- special lengths available on request.

Cast-in anchor channel 49/30



## Cast-in anchor channel cold-formed with studs

Version: cold-formed, hot-dip galvanized			
Type	Length [mm]	Number of anchors [pcs.]	Ref. no.
54/33	150	2	8254330150FV
54/33	200	2	8254330200FV
54/33	250	2	8254330250FV
54/33	300	2	8254330300FV
54/33	350	3	8254330350FV
54/33	400	3	8254330400FV
54/33	550	3	8254330550FV
54/33	800	4	8254330800FV
54/33	1,050	5	8254331050FV
54/33	3,050	13	8254333050FV
54/33	6,070	25	8254336070FV

- with elastic foam and integrated trigger line
- special lengths available on request.



Version: cold-formed, stainless steel A4 / SS316			
Type	Length [mm]	Number of anchors [pcs.]	Ref. no.
54/33	150	2	8254330150VA
54/33	200	2	8254330200VA
54/33	250	2	8254330250VA
54/33	300	2	8254330300VA
54/33	350	3	8254330350VA
54/33	400	3	8254330400VA
54/33	550	3	8254330550VA
54/33	800	4	8254330800VA
54/33	1,050	5	8254331050VA
54/33	3,050	13	8254333050VA
54/33	6,070	25	8254336070VA

- with elastic foam and integrated trigger line
- special lengths available on request.



Cast-in anchor channel for precast concrete lintels, stainless steel A4 / SS316			
Type	Length [mm]	Load class [kN]	Ref. no.
28/15	150	3.5	82ES2815VA
38/17	150	7.0	82ES3817VA

- with elastic foam and integrated trigger line
- special lengths available on request.



Cast-in anchor channel hot-rolled with studs

Version: hot-rolled, hot-dip galvanized			
Type	Length [mm]	Number of anchors [pcs.]	Ref. no.
40/22	150	2	8240220150FV
40/22	200	2	8240220200FV
40/22	250	2	8240220250FV
40/22	300	2	8240220300FV
40/22	350	3	8240220350FV
40/22	400	3	8240220400FV
40/22	550	3	8240220550FV
40/22	800	4	8240220800FV
40/22	1,050	5	8240221050FV
40/22	1,300	6	8240221300FV
40/22	1,550	7	8240221550FV
40/22	1,800	8	8240221800FV
40/22	2,050	9	8240222050FV
40/22	2,300	10	8240222300FV
40/22	3,050	13	8240223050FV
40/22	6,070	25	8240226070FV

- with elastic foam, both-sided locking cap and integrated trigger line
- special lengths available on request.



Version: hot-rolled, stainless steel A4 / SS316			
Type	Length [mm]	Number of anchors [pcs.]	Ref. no.
40/22	150	2	8240220150VA
40/22	200	2	8240220200VA
40/22	250	2	8240220250VA
40/22	300	2	8240220300VA
40/22	350	3	8240220350VA
40/22	400	3	8240220400VA
40/22	550	3	8240220550VA
40/22	800	4	8240220800VA
40/22	1,050	5	8240221050VA
40/22	3,050	13	8240223050VA
40/22	6,070	25	8240226070VA

- with elastic foam, both-sided locking cap and integrated trigger line
- special lengths available on request.





## Cast-in anchor channel hot-rolled with studs

Version: hot-rolled, hot-dip galvanized			
Type	Length [mm]	Number of anchors [pcs.]	Ref. no.
50/30	150	2	8250300150FV
50/30	200	2	8250300200FV
50/30	250	2	8250300250FV
50/30	300	2	8250300300FV
50/30	350	3	8250300350FV
50/30	400	3	8250300400FV
50/30	550	3	8250300550FV
50/30	800	4	8250300800FV
50/30	1,050	5	8250301050FV
50/30	3,050	13	8250303050FV
50/30	6,070	25	8250306070FV

- with elastic foam, both-sided locking cap and integrated trigger line
- special lengths available on request.



Version: hot-rolled, stainless steel A4 / SS316			
Type	Length [mm]	Number of anchors [pcs.]	Ref. no.
50/30	150	2	8250300150VA
50/30	200	2	8250300200VA
50/30	250	2	8250300250VA
50/30	300	2	8250300300VA
50/30	350	3	8250300350VA
50/30	400	3	8250300400VA
50/30	550	3	8250300550VA
50/30	800	4	8250300800VA
50/30	1,050	5	8250301050VA
50/30	3,050	13	8250303050VA
50/30	6,070	25	8250306070VA

- with elastic foam, both-sided locking cap and integrated trigger line
- special lengths available on request.



**Cast-in anchor channel hot-rolled with studs**

Version: hot-rolled, hot-dip galvanized			
Type	Length [mm]	Number of anchors [pcs.]	Ref. no.
52/34	170	2	8252340170FV
52/34	200	2	8252340200FV
52/34	250	2	8252340250FV
52/34	300	2	8252340300FV
52/34	350	3	8252340350FV
52/34	400	3	8252340400FV
52/34	550	3	8252340550FV
52/34	800	4	8252340800FV
52/34	1,050	5	8252341050FV
52/34	3,050	13	8252343050FV
52/34	6,070	25	8252346070FV

- with elastic foam, both-sided locking cap and integrated trigger line
- special lengths available on request.

Version: hot-rolled, stainless steel A4 / SS316			
Type	Length [mm]	Number of anchors [pcs.]	Ref. no.
52/34	170	2	8252340170VA
52/34	200	2	8252340200VA
52/34	250	2	8252340250VA
52/34	300	2	8252340300VA
52/34	350	3	8252340350VA
52/34	400	3	8252340400VA
52/34	550	3	8252340550VA
52/34	800	4	8252340800VA
52/34	1,050	5	8252341050VA
52/34	3,050	13	8252343050VA
52/34	6,070	25	8252346070VA

- with elastic foam, both-sided locking cap and integrated trigger line
- special lengths available on request.



## Cast-in anchor channel hot-rolled with studs

Version: hot-rolled, hot-dip galvanized			
Type	Length [mm]	Number of anchors [pcs.]	Ref. no.
4022-P	150	2	824022P0150FV
4022-P	200	2	824022P0200FV
4022-P	250	2	824022P0250FV
4022-P	300	2	824022P0300FV
4022-P	350	3	824022P0350FV
4022-P	400	3	824022P0400FV
4022-P	550	3	824022P0550FV
4022-P	800	4	824022P0800FV
4022-P	1,050	5	824022P1050FV
4022-P	1,300	6	824022P1300FV
4022-P	1,550	7	824022P1550FV
4022-P	1,800	8	824022P1800FV
4022-P	2,050	9	824022P2050FV
4022-P	2,300	10	824022P2300FV
4022-P	3,050	13	824022P3050FV
4022-P	6,070	25	824022P6070FV

- with elastic foam, both-sided locking cap and integrated trigger line
- special lengths available on request.



Version: hot-rolled, stainless steel A4 / SS316			
Type	Length [mm]	Number of anchors [pcs.]	Ref. no.
4022-P	150	2	824022P0150VA
4022-P	200	2	824022P0200VA
4022-P	250	2	824022P0250VA
4022-P	300	2	824022P0300VA
4022-P	350	3	824022P0350VA
4022-P	400	3	824022P0400VA
4022-P	550	3	824022P0550VA
4022-P	800	4	824022P0800VA
4022-P	1,050	5	824022P1050VA
4022-P	3,050	13	824022P3050VA
4022-P	6,070	25	824022P6070VA

- with elastic foam, both-sided locking cap and integrated trigger line
- special lengths available on request.





**Cast-in anchor channel hot-rolled with studs**

Version: 50/30-P hot-rolled, hot-dip galvanized			
Type	Length [mm]	Number of anchors [pcs.]	Ref. no.
5030-P	150	2	825030P0150FV
5030-P	200	2	825030P0200FV
5030-P	250	2	825030P0250FV
5030-P	300	2	825030P0300FV
5030-P	350	3	825030P0350FV
5030-P	400	3	825030P0400FV
5030-P	550	3	825030P0550FV
5030-P	800	4	825030P0800FV
5030-P	1,050	5	825030P1050FV
5030-P	3,050	13	825030P3050FV
5030-P	6,070	25	825030P6070FV

- with elastic foam, both-sided locking cap and integrated trigger line
- special lengths available on request.



Version: 50/30-P hot-rolled, stainless steel A4 / SS316			
Type	Length [mm]	Number of anchors [pcs.]	Ref. no.
5030-P	150	2	825030P0150VA
5030-P	200	2	825030P0200VA
5030-P	250	2	825030P0250VA
5030-P	300	2	825030P0300VA
5030-P	350	3	825030P0350VA
5030-P	400	3	825030P0400VA
5030-P	550	3	825030P0550VA
5030-P	800	4	825030P0800VA
5030-P	1,050	5	825030P1050VA
5030-P	3,050	13	825030P3050VA
5030-P	6,070	25	825030P6070VA

- with elastic foam, both-sided locking cap and integrated trigger line
- special lengths available on request.



Magnetic fastener for anchor channels												
Type	Adhesive force [kg]	Suitable for cast-in anchor channels (hot-dip galvanized / stainless steel)										Ref. no.
		28/15	38/17	40/25	49/30	54/33	40/22	4022-P	50/30	5030-P	52/34	
28/15	26	●	-	-	-	-	-	-	-	-	-	82MAX2815
38/17	30	-	●	-	-	-	-	-	-	-	-	82MAX3817
40/22	30	-	-	-	-	-	●	●	-	-	-	82MAX4022
40/25	30	-	-	●	-	-	-	-	-	-	-	82MAX4025
50/30	30	-	-	-	●	●	-	-	●	●	-	82MAX5030
52/34	30	-	-	-	-	-	-	-	-	-	●	82MAX5234



## Hammer head bolt

Hammer head bolt HKS-28/15 (incl. nut)				
Length	Ref. no. 82HKS2815...			
[mm]	M6	M8	M10	M12
Hot-dip galvanized 8.8				
30	...06030FV	...08030FV	...10030FV	...12030FV
40	...06040FV	...08040FV	...10040FV	...12040FV
50	...06050FV	...08050FV	...10050FV	...12050FV
60	...06060FV	...08060FV	...10060FV	...12060FV
70	...06070FV	...08070FV	...10070FV	...12070FV
80	...06080FV	...08080FV	...10080FV	...12080FV
90	...06090FV	...08090FV	...10090FV	...12090FV
100	...06100FV	...08100FV	...10100FV	...12100FV
Stainless steel A4-70 / SS316				
30	...06030VA	...08030VA	...10030VA	...12030VA
40	...06040VA	...08040VA	...10040VA	...12040VA
50	...06050VA	...08050VA	...10050VA	...12050VA
60	...06060VA	...08060VA	...10060VA	...12060VA
70	...06070VA	...08070VA	...10070VA	...12070VA
80	...06080VA	...08080VA	...10080VA	...12080VA
90	...06090VA	...08090VA	...10090VA	...12090VA
100	...06100VA	...08100VA	...10100VA	...12100VA



Suitable for following profiles:  
- 28/15

Hammer head bolt HKS-38/17 (incl. nut)				
Length	Ref. no. 82HKS3817...			
[mm]	M8	M10	M12	M16
Hot-dip galvanized 8.8				
30	...08030FV	...10030FV	...12030FV	...16030FV
40	...08040FV	...10040FV	...12040FV	...16040FV
50	...08050FV	...10050FV	...12050FV	...16050FV
60	...08060FV	...10060FV	...12060FV	...16060FV
70	...08070FV	...10070FV	...12070FV	...16070FV
80	...08080FV	...10080FV	...12080FV	...16080FV
90	...08090FV	...10090FV	...12090FV	...16090FV
100	...08100FV	...10100FV	...12100FV	...16100FV
Stainless steel A4-70 / SS316				
30	...08030VA	...10030VA	...12030VA	...16030VA
40	...08040VA	...10040VA	...12040VA	...16040VA
50	...08050VA	...10050VA	...12050VA	...16050VA
60	...08060VA	...10060VA	...12060VA	...16060VA
70	...08070VA	...10070VA	...12070VA	...16070VA
80	...08080VA	...10080VA	...12080VA	...16080VA
90	...08090VA	...10090VA	...12090VA	...16090VA
100	...08100VA	...10100VA	...12100VA	...16100VA



Suitable for following profiles:  
- 38/17

Hook head bolt

Hook head bolt HKS-40/22 (incl. nut)			
Length	Ref. no. 82HKS4022...		
[mm]	M10	M12	M16
Hot-dip galvanized 8.8			
30	...10030FV	...12030FV	...16030FV
40	...10040FV	...12040FV	...16040FV
50	...10050FV	...12050FV	...16050FV
60	...10060FV	...12060FV	...16060FV
70	...10070FV	...12070FV	...16070FV
80	...10080FV	...12080FV	...16080FV
90	...10090FV	...12090FV	...16090FV
100	...10100FV	...12100FV	...16100FV
Stainless steel A4-70 / SS316			
30	...10030VA	...12030VA	...16030VA
40	...10040VA	...12040VA	...16040VA
50	...10050VA	...12050VA	...16050VA
60	...10060VA	...12060VA	...16060VA
70	...10070VA	...12070VA	...16070VA
80	...10080VA	...12080VA	...16080VA
90	...10090VA	...12090VA	...16090VA
100	...10100VA	...12100VA	...16100VA



Suitable for following profiles:  
 - 40/22  
 - 40/25

Hook head bolt HKS-50/30 (incl. nut)				
Length	Ref. no. 82HKS5030...			
[mm]	M10	M12	M16	M20
Hot-dip galvanized 8.8				
30	...10030FV	...12030FV	...16030FV	...20030FV
40	...10040FV	...12040FV	...16040FV	...20040FV
50	...10050FV	...12050FV	...16050FV	...20050FV
60	...10060FV	...12060FV	...16060FV	...20060FV
70	...10070FV	...12070FV	...16070FV	...20070FV
80	...10080FV	...12080FV	...16080FV	...20080FV
90	...10090FV	...12090FV	...16090FV	...20090FV
100	...10100FV	...12100FV	...16100FV	...20100FV
Stainless steel A4-70 / SS316				
30	...10030VA	...12030VA	...16030VA	...20030VA
40	...10040VA	...12040VA	...16040VA	...20040VA
50	...10050VA	...12050VA	...16050VA	...20050VA
60	...10060VA	...12060VA	...16060VA	...20060VA
70	...10070VA	...12070VA	...16070VA	...20070VA
80	...10080VA	...12080VA	...16080VA	...20080VA
90	...10090VA	...12090VA	...16090VA	...20090VA
100	...10100VA	...12100VA	...16100VA	...20100VA

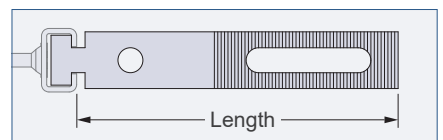


Suitable for following profiles:  
 - 54/33  
 - 52/34  
 - 50/30  
 - 49/30

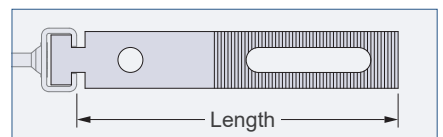


## Toothed strap

Version: galvanized (incl. toothed counter plate)		
Type	Length [mm]	Ref. no.
Suitable for profile 28/15		
28/15	115	82VL2815075VC
28/15	140	82VL2815100VC
28/15	165	82VL2815125VC
28/15	190	82VL2815150VC
28/15	215	82VL2815175VC
28/15	240	82VL2815200VC
Suitable for profile 38/17		
38/17	115	82VL3817075VC
38/17	140	82VL3817100VC
38/17	165	82VL3817125VC
38/17	190	82VL3817150VC
38/17	215	82VL3817175VC
38/17	240	82VL3817200VC



Version: stainless steel (incl. toothed counter plate)		
Type	Length [mm]	Ref. no.
Suitable for profile 28/15		
28/15	115	82VL2815075VA
28/15	140	82VL2815100VA
28/15	165	82VL2815125VA
28/15	190	82VL2815150VA
28/15	215	82VL2815175VA
28/15	240	82VL2815200VA
Suitable for profile 38/17		
38/17	115	82VL3817075VA
38/17	140	82VL3817100VA
38/17	165	82VL3817125VA
38/17	190	82VL3817150VA
38/17	215	82VL3817175VA
38/17	240	82VL3817200VA



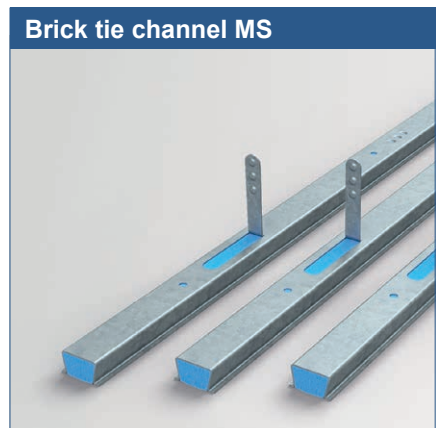
Version: sendzimir zinc plated / stainless steel		
Type (suitable for profile)	Length [mm]	Ref. no.
<b>Sendzimir zinc plated</b>		
38/17	85	82BL085SV
38/17	120	82BL120SV
38/17	180	82BL180SV
<b>Stainless steel</b>		
38/17	120	82BL120VA
38/17	180	82BL180VA



**Brick tie channel**

Version: sendzimir zinc plated / stainless steel			
Type	Length [mm]	Number of anchors [pcs.]	Ref. no.
<b>Sendzimir zinc plated</b>			
25/15	2,500	10	82MAS25152500SV
<b>Stainless steel</b>			
25/15	2,500	10	82MAS25152500VA

- with elastic foam



Version: hot-dip galvanized / stainless steel		
Type (suitable for profile)	Length [mm]	Ref. no.
<b>Hot-dip galvanized</b>		
25/15 and 28/15	85	82ML085FV
25/15 and 28/15	120	82ML120FV
25/15 and 28/15	180	82ML180FV
<b>Stainless steel</b>		
25/15 and 28/15	120	82ML120VA
25/15 and 28/15	180	82ML180VA

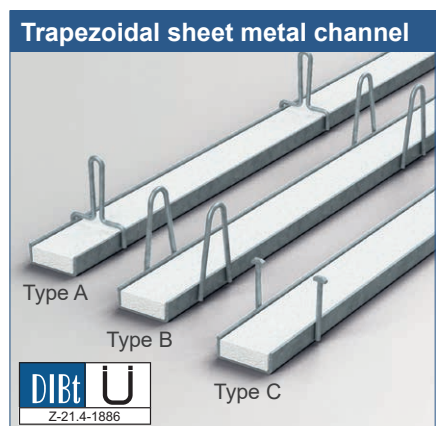


Version: stainless steel		
Type (suitable for profile)	Length [mm]	Ref. no.
25/15 and 28/15	120	82PB120VA
25/15 and 28/15	150	82PB150VA
25/15 and 28/15	180	82PB180VA
25/15 and 28/15	240	82PB240VA



Version: hot-dip galvanized (FV)			
Type	Length [mm]	Number of anchors [pcs.]	Ref. no.
A	3,000	8	82TS3A300008FV
A	3,000	20	82TS3A300020FV
B	3,000	8	82TS3B300008FV
B	3,000	20	82TS3B300020FV
C	3,000	8	82TS3C300008FV
C	3,000	20	82TS3C300020FV

- Version: pair of single anchor strips 3 mm, hot-dip galvanized, styrofoam filling



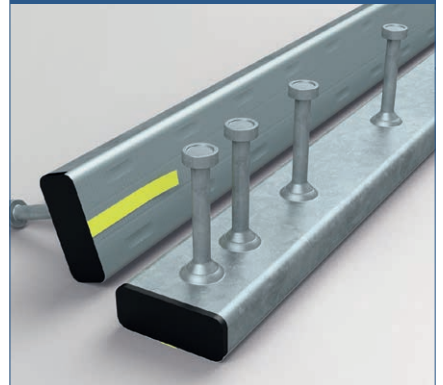
## Trapezoidal sheet metal channel / cable holder channel

### Version: hot-dip galvanized

Type	Length [mm]	Number of anchors [pcs.]	Ref. no.
70/28	670	7	82KHB0670FV
70/28	820	8	82KHB0820FV
70/28	970	9	82KHB0970FV
70/28	1,120	10	82KHB1120FV
70/28	1,270	11	82KHB1270FV
70/28	1,345	12	82KHB1345FV
70/28	1,645	14	82KHB1645FV
70/28	1,945	16	82KHB1945FV
70/28	2,245	18	82KHB2245FV
70/28	2,545	20	82KHB2545FV

- with elastic foam and integrated trigger line
- special lengths available on request.

### Cable holder channel KHB



### Version: hot-dip galvanized

Type	Length [mm]	Punching	Ref. no.
70/28	1,400	Ø13	82KHM1400FV
70/28	1,700	Ø13	82KHM1700FV
70/28	2,000	Ø13	82KHM2000FV
70/28	2,300	Ø13	82KHM2300FV
70/28	2,600	Ø13	82KHM2600FV

- special lengths available on request.
- fixing material: Hilti - HST - M12 acc. to ETA-98/0001, for use in concrete
- minimum concrete strength C 20/25, post-installed anchor M12 for concrete and masonry  $h_{ef} \geq 90$  mm
- minimum 1 anchor per metre, minimum 2 anchors per channel.

### Cable holder channel KHM



### Version: plastic

Type	Ref. no.
70/28	82KHE7028

### Locking caps





**Cable holder channel**

Version: hot-dip galvanized / plastic		
Type	Length console [mm]	Ref. no.
70/28	210	82KKH210FV
70/28	310	82KKH310FV
70/28	420	82KKH420FV
70/28	600	82KKH600FV



Version: hot-dip galvanized / plastic		
Type	Length console [mm]	Ref. no.
70/28	210	82KWB210FV
70/28	310	82KWB310FV
70/28	420	82KWB420FV
70/28	600	82KWB600FV



## Mounting channel / clamping plate

### Version: hot-rolled

Type	Length [mm]	Ref. no.		
		bright	hot-dip galvanized	stainless steel
40/22	6,070	82MS4022O6070BL	82MS4022O6070FV	82MS4022O6070VA
50/30	6,070	82MS5030O6070BL	82MS5030O6070FV	82MS5030O6070VA
52/34	6,070	82MS5234O6070BL	82MS5234O6070FV	82MS5234O6070VA

Other dimensions available on request.

### Mounting channel



### Version: cold-formed

Type	Length [mm]	Ref. no.		
		bright	hot-dip galvanized	stainless steel
28/15	6,070	82MS2815O6070BL	82MS2815O6070FV	82MS2815O6070VA
38/17	6,070	82MS3817O6070BL	82MS3817O6070FV	82MS3817O6070VA

Other dimensions available on request.

### Mounting channel



### Version: cold-formed with punching

Type	Length [mm]	Ref. no.	
		hot-dip galvanized	stainless steel
28/15	3,050	82MS2815O3050FVL	-
28/15	6,070	82MS2815O6070FVL	82MS2815O6070VAL

Other dimensions available on request.

### Mounting channel



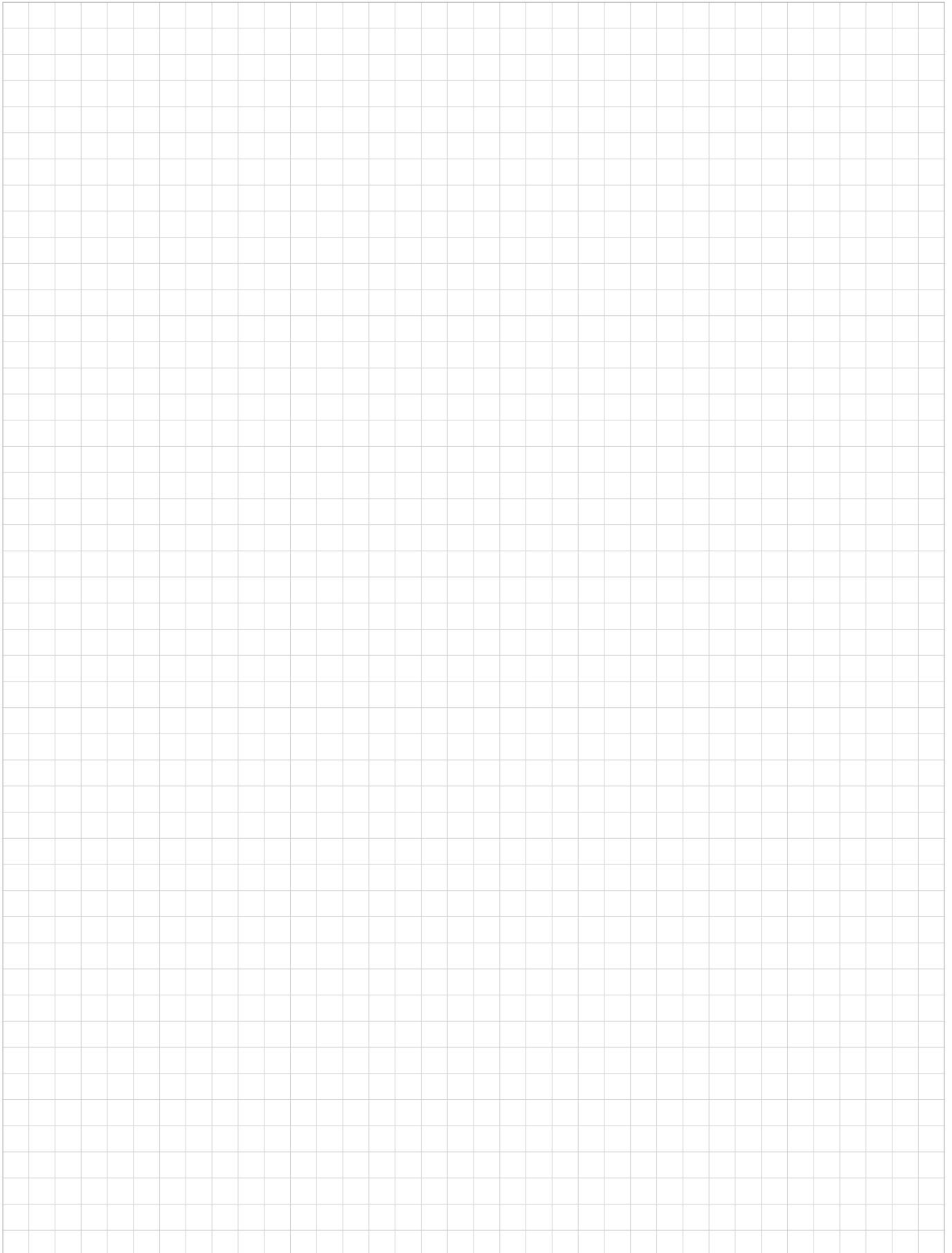
### Version: hot-dip galvanized

Clamping height [mm]	Slotted hole [mm]	Length [mm]	Width [mm]	Height [mm]	Ref. no.
10	18 × 24	75	60	28	82KLP6010
12	18 × 24	75	60	30	82KLP6012
14	18 × 24	75	60	32	82KLP6014
16	18 × 24	75	60	34	82KLP6016
18	18 × 24	75	60	36	82KLP6018
20	18 × 24	75	60	38	82KLP6020

### Clamping plate acc. to DIN 3568



Notes:



Our customers trust us to deliver. We do everything in our power to reward their faith and we start each day intending to do better than the last. We provide strength and stability in an ever-changing world.

## Welcome to the PHILIPP Group

Sustainable  
solutions

**PHILIPP**GROUP



### **PHILIPP GmbH**

Lilienthalstrasse 7-9  
63741 Aschaffenburg  
Phone: + 49 6021 40 27-0  
Fax: + 49 6021 40 27-440  
info@philipp-group.de

### **PHILIPP GmbH**

Roßlauer Strasse 70  
06869 Coswig/Anhalt  
Phone: + 49 34903 6 94-0  
Fax: + 49 34903 6 94-20  
info@philipp-group.de

### **PHILIPP GmbH**

Sperberweg 37  
41468 Neuss  
Phone: + 49 2131 3 59 18-0  
Fax: + 49 2131 3 59 18-10  
info@philipp-group.de

### **PHILIPP ACON Hydraulic GmbH**

Hinter dem grünen Jäger 3  
38836 Dardesheim  
Phone: + 49 39422 95 68-0  
Fax: + 49 39422 95 68-29  
info@philipp-group.de



### **PHILIPP Vertriebs GmbH**

Leogangerstraße 21  
A-5760 Saalfelden / Salzburg  
Phone + 43 6582 7 04 01  
Fax + 43 6582 7 04 01 20  
info@philipp-gruppe.at

For more information visit our website: [www.philipp-group.de](http://www.philipp-group.de)